

TECHNICAL DATA

		40	60	75	90	110	130	150	175	200	250
DISPLACEMENT	[cc]	40	60	74	91	115	129	151	166	191	226
SPECIFIC TORQUE	[Nm/bar]	0,62	0,97	1,20	1,40	1,84	2,05	2,40	2,65	3,04	3,60
MAX. CONT. PRESSURE	[bar]	250	250	250	250	250	250	250	250	250	250
HYDROSTATIC TEST PRESSURE	[bar]	420	420	420	420	420	420	420	420	420	420
MAX. CONT. SPEED	[rpm]	1200	1200	1200	1100	850	850	850	750	750	600
PEAK SPEED (***)	[rpm]	1400	1400	1400	1300	1100	1100	1100	1000	1000	800
MAX. CONT. POWER (****)	[kW]	16	25	32	32	35	35	35	35	35	35
PEAK POWER	[kW]	25	35	50	50	55	55	55	55	55	55
MAX. CASE PRESSURE	[bar]	6	6	6	6	6	6	6	6	6	6
DRY WEIGHT	[kg]	30	30	30	30	30	30	30	30	30	30
TEMPERATURE RANGE (**)	[°C]	-30÷70	-30÷70	-30÷70	-30÷70	-30÷70	-30÷70	-30÷70	-30÷70	-30÷70	-30÷70

- (*) The standard distributor (D40) is shown. Please refer to distributors section (pag. 82-83) for different distributor interfaces.

- (**) Please refer to the hydraulic fluid recommendations (pag. 8-9).

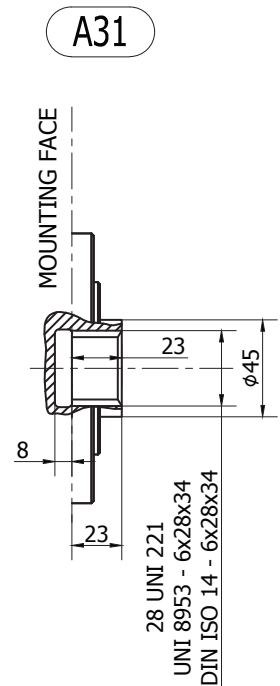
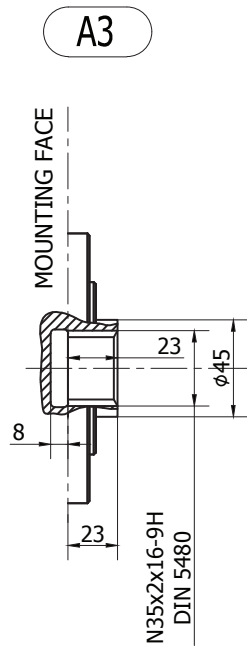
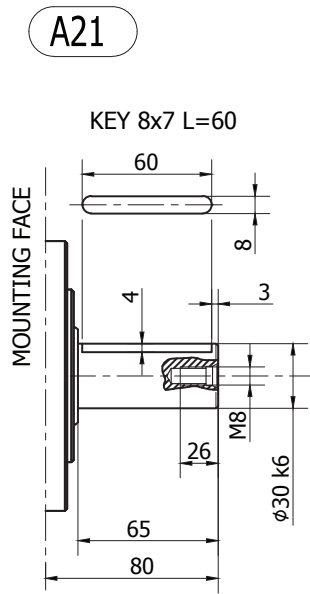
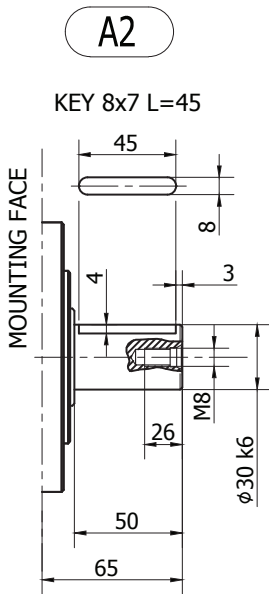
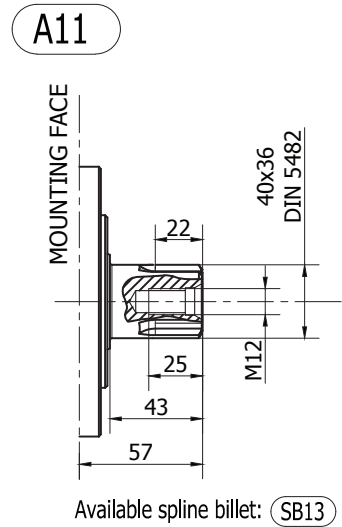
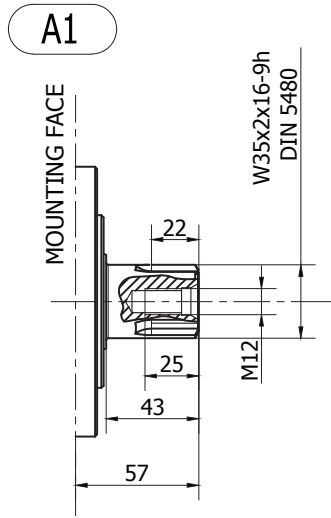
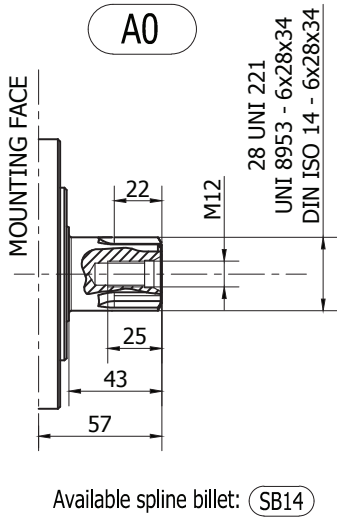
- (***) Do not exceed maximum continuous power with flushing (pag. 11).

- (****) For motor operation with a continuous duty cycle at maximum continuous power the flushing is usually required.

For more information please contact our technical department.

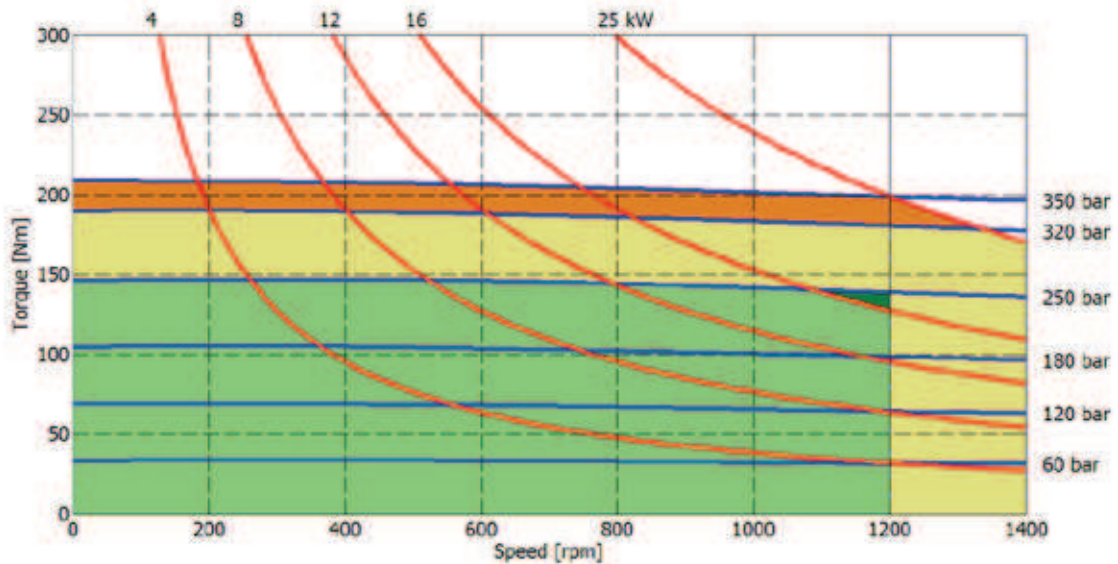
The data specified into the catalogue are for product description purpose only and must not be interpreted as warranted characteristics in legal sense. Italgrou S.r.l. reserves the right to implement modifications without notice. All partial or total reproduction and copy without written authorization of Italgrou S.r.l. is strictly forbidden.

SHAFT CONFIGURATIONS

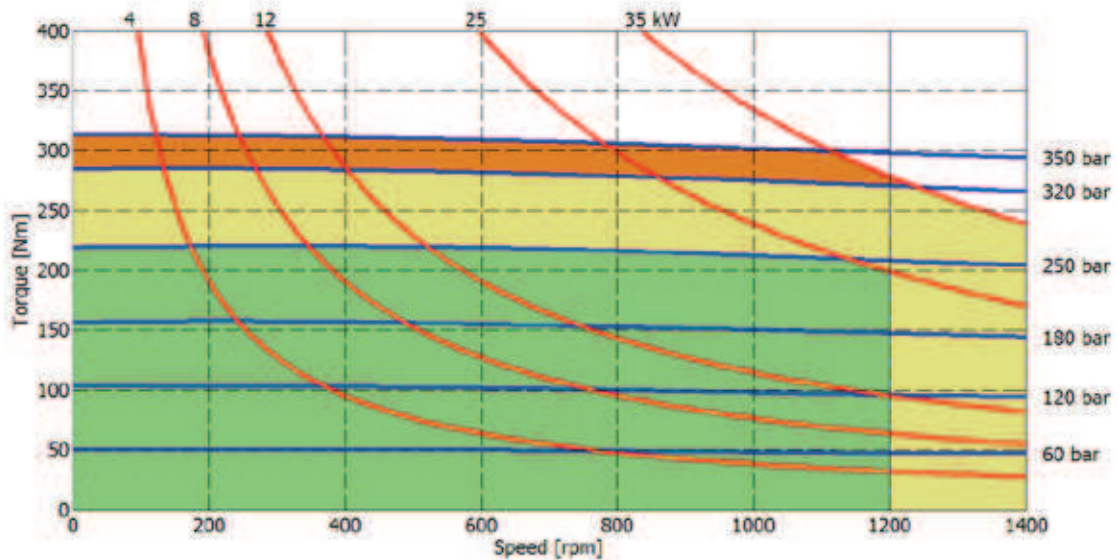


The data specified into the catalogue are for product description purpose only and must not be interpreted as warranted characteristics in legal sense. ItalgrouP S.r.l. reserves the right to implement modifications without notice. All partial or total reproduction and copy without written authorization of ItalgrouP S.r.l. is strictly forbidden.

40 cc



60 cc



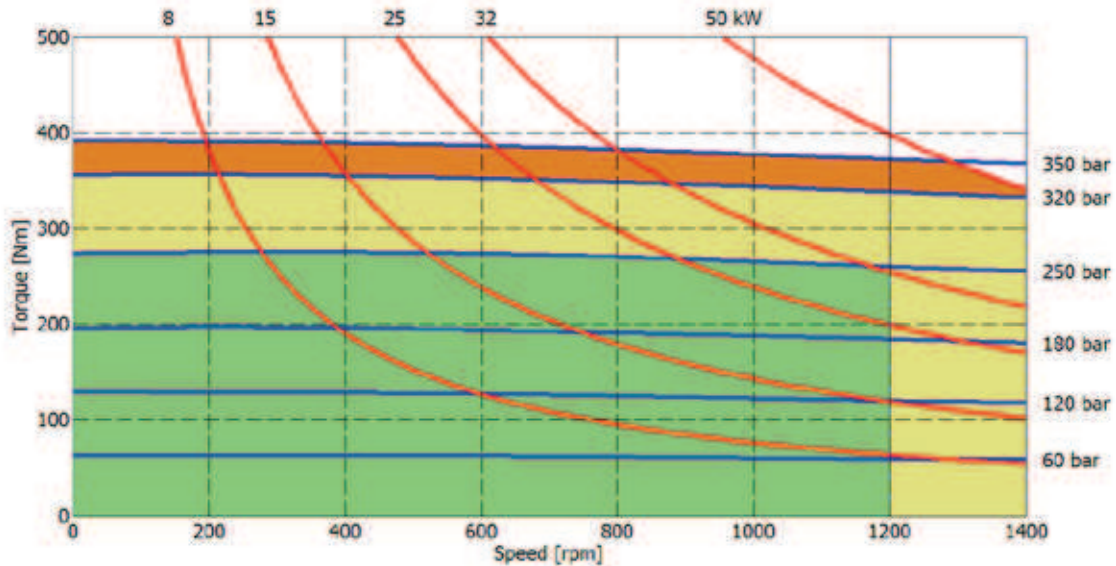
- Continuous operation
- Continuous operation with flushing or intermittent operation (see below for intermittent operation)
- Intermittent operation: permitted for a 15% of duty cycle, for 3 minutes maximum period
- Peak operation: permitted for very short periods (3-5 seconds every 10-15 minutes)

The above diagrams are referring to the hydraulic motor working with a fluid in ideal conditions (viscosity at 40 cSt). In case the working temperature increases and viscosity reach values under the recommended values (see hydraulic fluid recommendations) flushing must be performed or ISO oil grade must be changed. The working temperature must not overcome 70 °C.

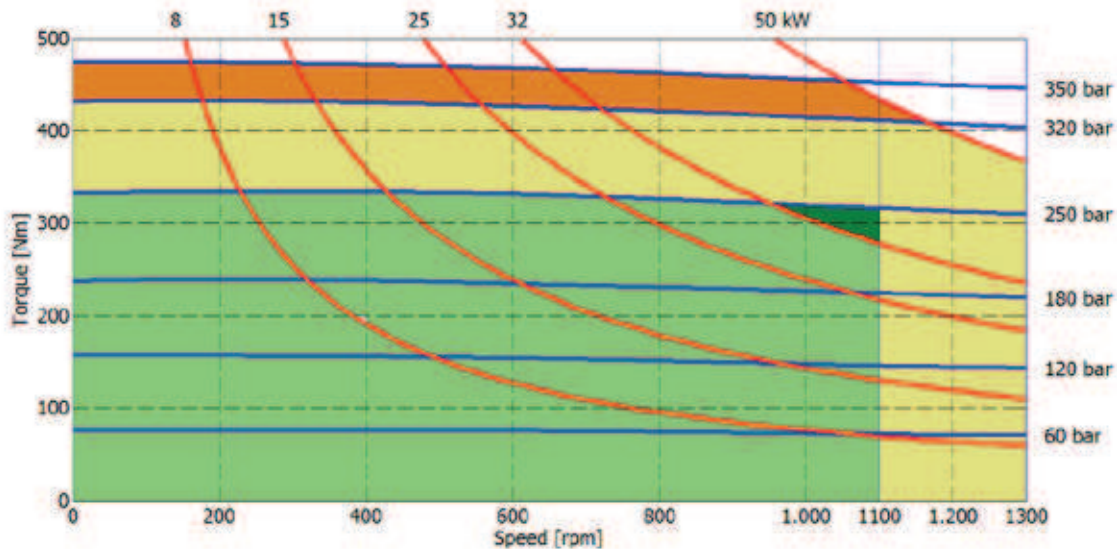
The data specified into the catalogue are for product description purpose only and must not be interpreted as warranted characteristics in legal sense. Italgrou S.r.l. reserves the right to implement modifications without notice. All partial or total reproduction and copy without written authorization of Italgrou S.r.l. is strictly forbidden.

HC05- PERFORMANCE DIAGRAMS

75 cc



90 cc



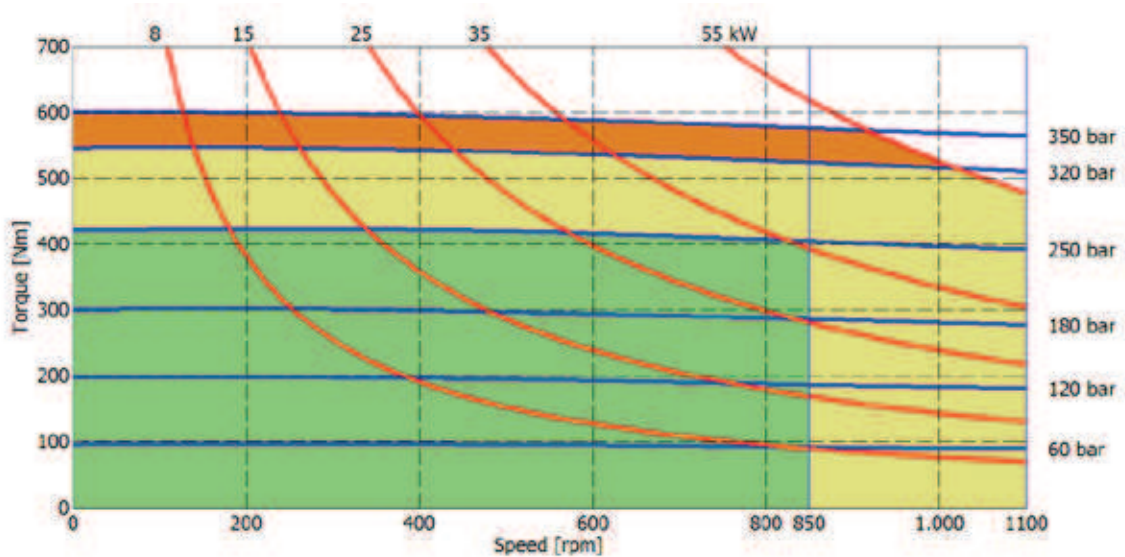
- Continuous operation
- Continuous operation with flushing or intermittent operation (see below for intermittent operation)
- Intermittent operation: permitted for a 15% of duty cycle, for 3 minutes maximum period
- Peak operation: permitted for very short periods (3-5 seconds every 10-15 minutes)

The above diagrams are referring to the hydraulic motor working with a fluid in ideal conditions (viscosity at 40 cSt). In case the working temperature increases and viscosity reach values under the recommended values (see hydraulic fluid recommendations) flushing must be performed or ISO oil grade must be changed. The working temperature must not overcome 70 °C.

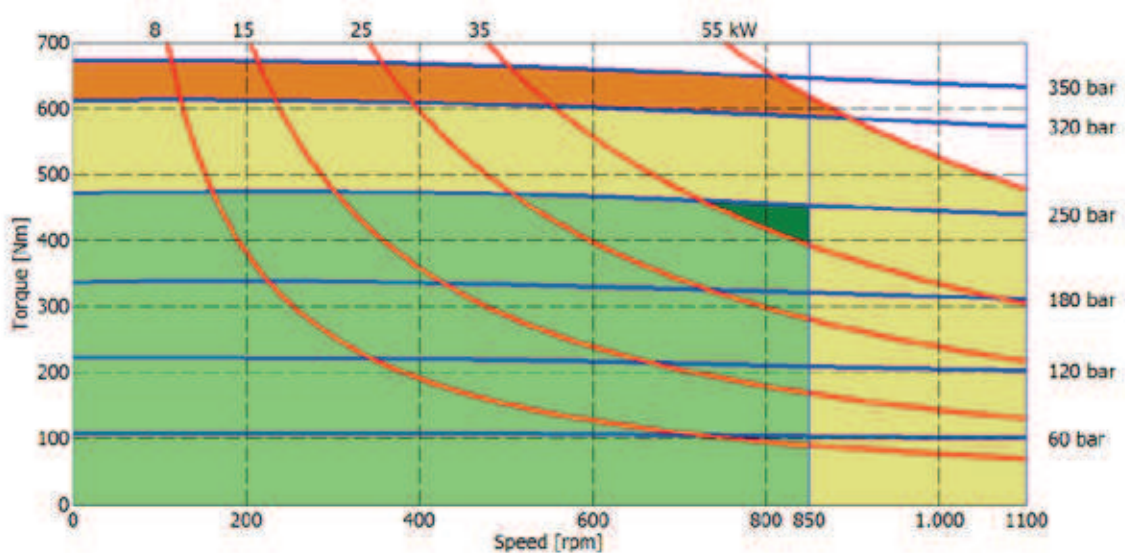
The data specified into the catalogue are for product description purpose only and must not be interpreted as warranted characteristics in legal sense. Italgroup S.r.l. reserves the right to implement modifications without notice. All partial or total reproduction and copy without written authorization of Italgroup S.r.l. is strictly forbidden.

HC05- PERFORMANCE DIAGRAMS

110 cc



130 cc



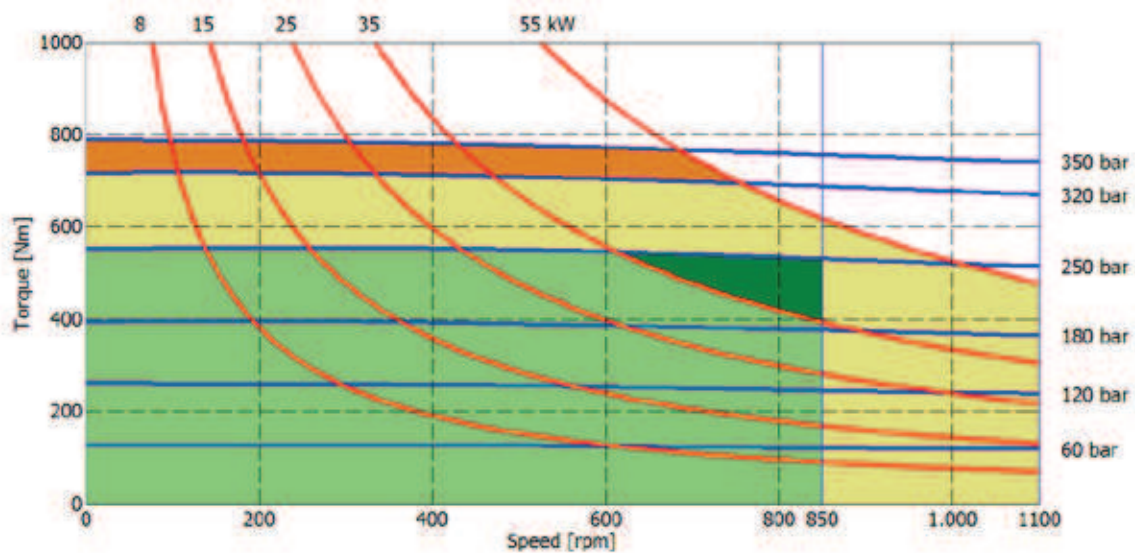
- Continuous operation
- Continuous operation with flushing or intermittent operation (see below for intermittent operation)
- Intermittent operation: permitted for a 15% of duty cycle, for 3 minutes maximum period
- Peak operation: permitted for very short periods (3-5 seconds every 10-15 minutes)

The above diagrams are referring to the hydraulic motor working with a fluid in ideal conditions (viscosity at 40 cSt). In case the working temperature increases and viscosity reach values under the recommended values (see hydraulic fluid recommendations) flushing must be performed or ISO oil grade must be changed. The working temperature must not overcome 70 °C.

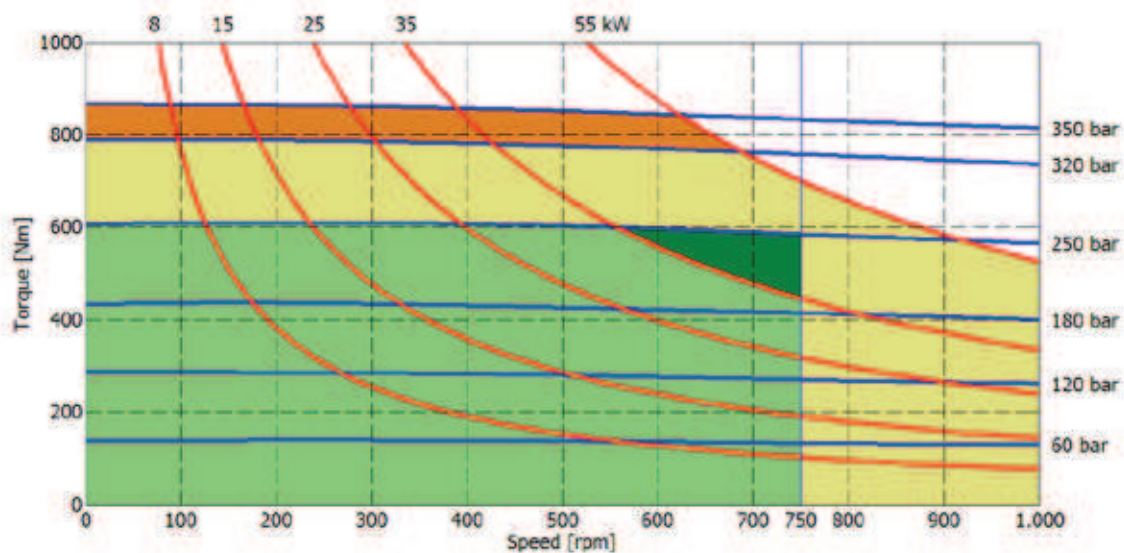
The data specified into the catalogue are for product description purpose only and must not be interpreted as warranted characteristics in legal sense. Italgrou S.r.l. reserves the right to implement modifications without notice. All partial or total reproduction and copy without written authorization of Italgrou S.r.l. is strictly forbidden.

HC05- PERFORMANCE DIAGRAMS

150 cc



175 cc



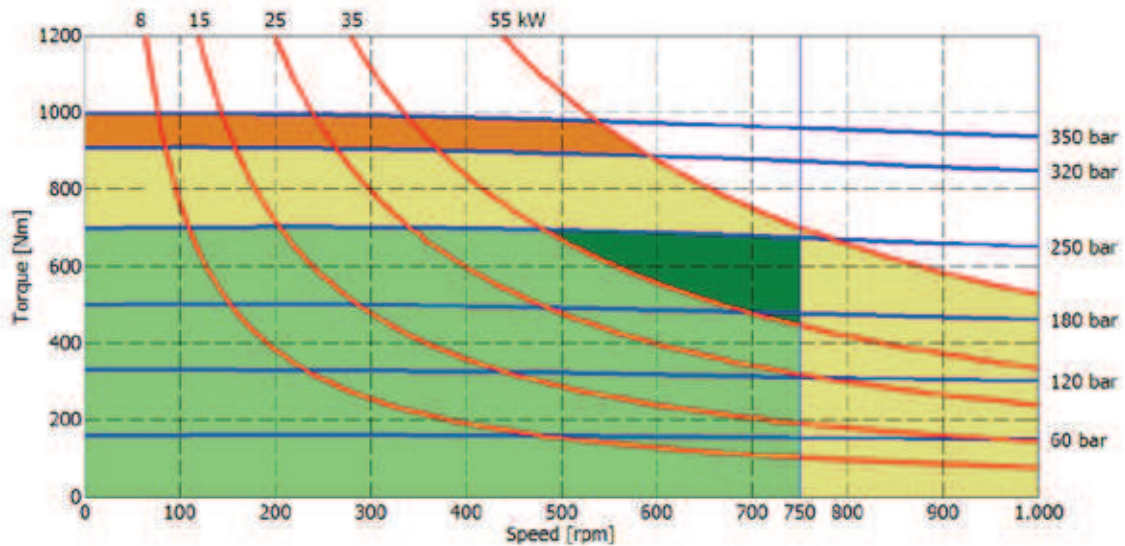
- Continuous operation
- Continuous operation with flushing or intermittent operation (see below for intermittent operation)
- Intermittent operation: permitted for a 15% of duty cycle, for 3 minutes maximum period
- Peak operation: permitted for very short periods (3-5 seconds every 10-15 minutes)

The above diagrams are referring to the hydraulic motor working with a fluid in ideal conditions (viscosity at 40 cSt). In case the working temperature increases and viscosity reach values under the recommended values (see hydraulic fluid recommendations) flushing must be performed or ISO oil grade must be changed. The working temperature must not overcome 70 °C.

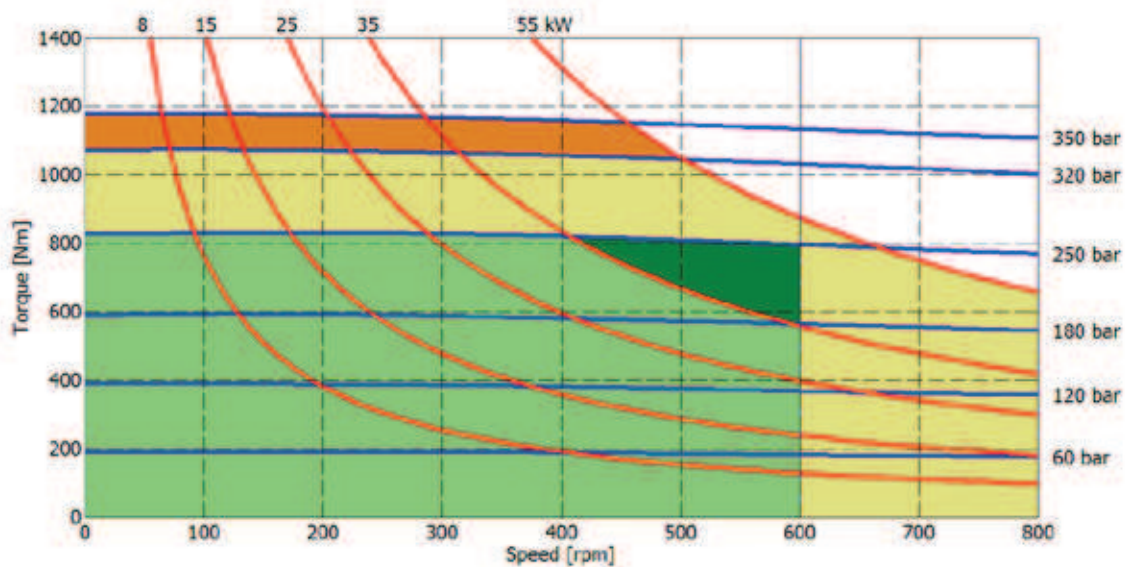
The data specified into the catalogue are for product description purpose only and must not be interpreted as warranted characteristics in legal sense. ItalgrouP S.r.l. reserves the right to implement modifications without notice. All partial or total reproduction and copy without written authorization of ItalgrouP S.r.l. is strictly forbidden.

HC05- PERFORMANCE DIAGRAMS

200 cc



250 cc



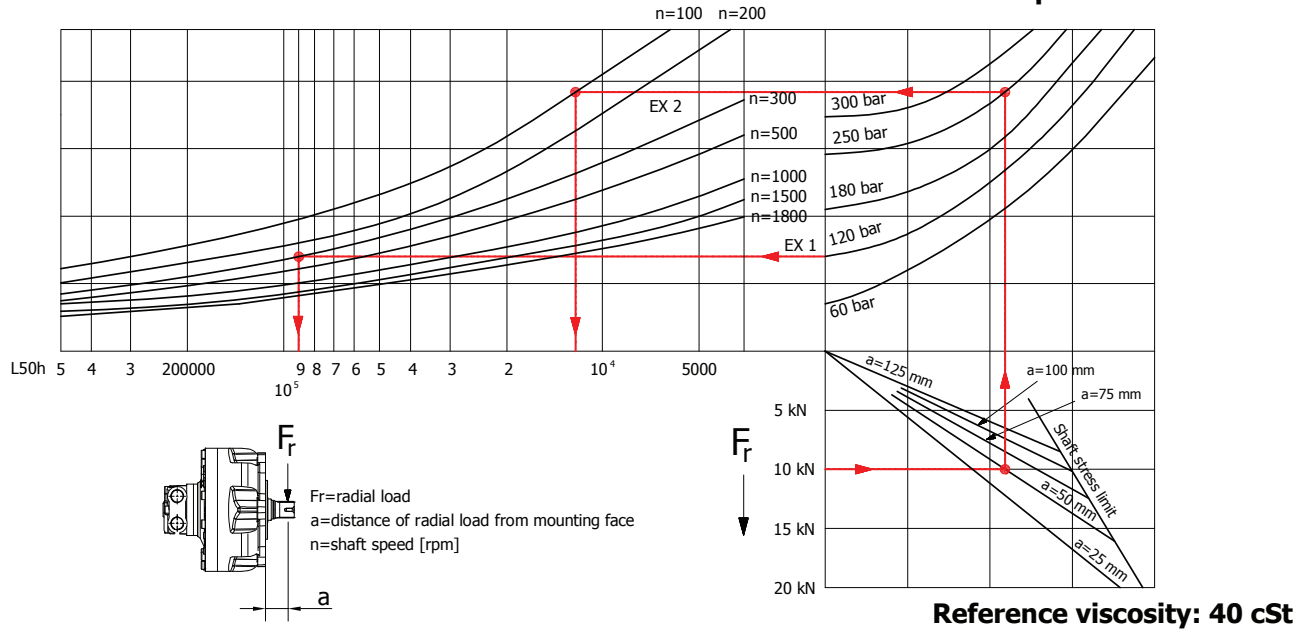
- Continuous operation
- Continuous operation with flushing or intermittent operation (see below for intermittent operation)
- Intermittent operation: permitted for a 15% of duty cycle, for 3 minutes maximum period
- Peak operation: permitted for very short periods (3-5 seconds every 10-15 minutes)

The above diagrams are referring to the hydraulic motor working with a fluid in ideal conditions (viscosity at 40 cSt). In case the working temperature increases and viscosity reach values under the recommended values (see hydraulic fluid recommendations) flushing must be performed or ISO oil grade must be changed. The working temperature must not overcome 70 °C.

The data specified into the catalogue are for product description purpose only and must not be interpreted as warranted characteristics in legal sense. Italgrou S.r.l. reserves the right to implement modifications without notice. All partial or total reproduction and copy without written authorization of Italgrou S.r.l. is strictly forbidden.

BEARING LIFE

Reference displacement 110 cc



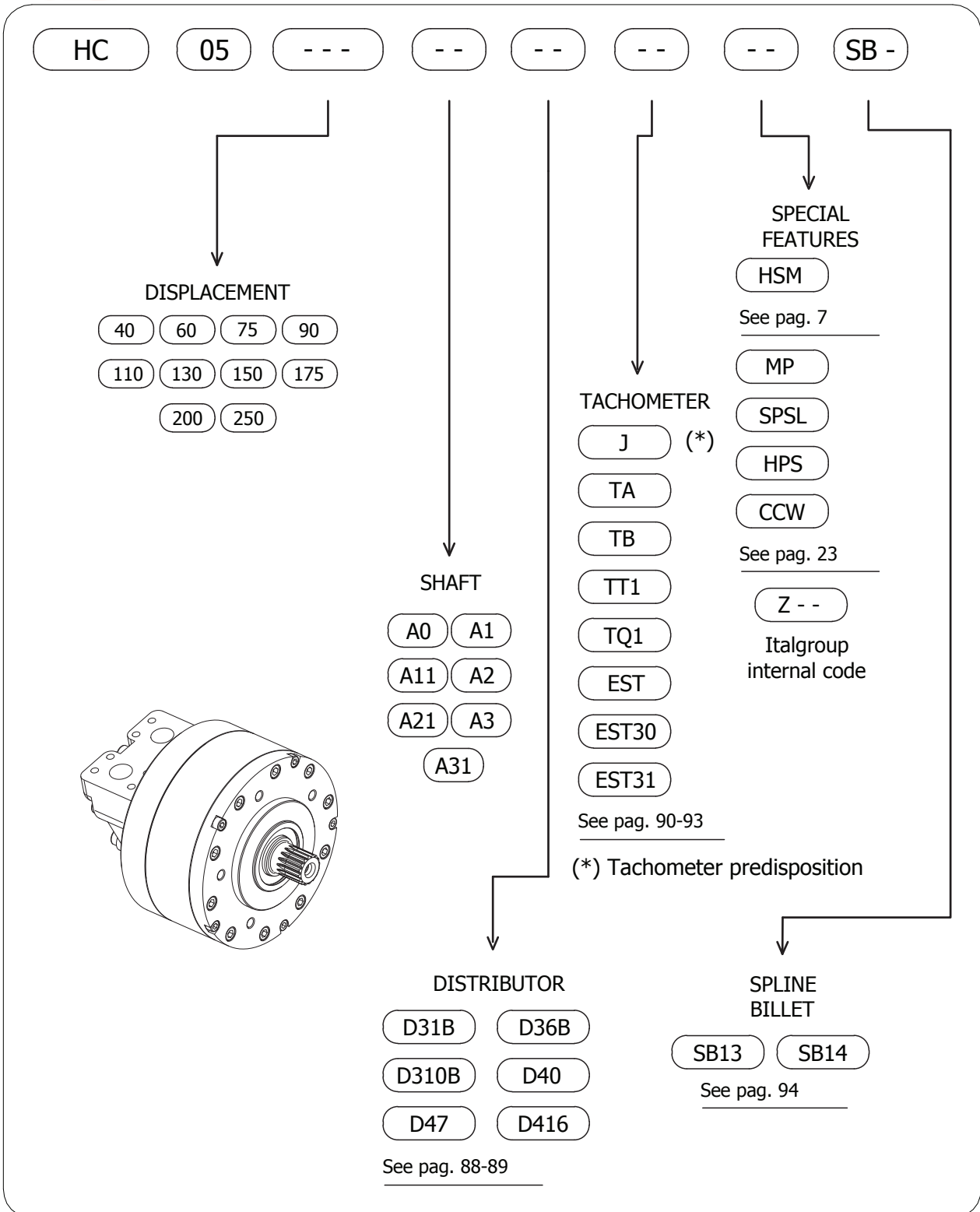
Reference viscosity: 40 cSt

Example:

We suppose (EX1): $p=120$ [bar], $n=300$ [rpm]; we obtain an average lifetime of 90000 [h].
 If we suppose (EX2): $F_r=10$ [kN], $a=50$ [mm], $n=100$ [rpm] and $p=250$ [bar] we obtain an average lifetime of 11000 [h].

The data specified into the catalogue are for product description purpose only and must not be interpreted as warranted characteristics in legal sense. ItalgrouP S.r.l. reserves the right to implement modifications without notice. All partial or total reproduction and copy without written authorization of ItalgrouP S.r.l. is strictly forbidden.

HC05- ORDERING CODE



The data specified into the catalogue are for product description purpose only and must not be interpreted as warranted characteristics in legal sense. Italgrou S.r.l. reserves the right to implement modifications without notice. All partial or total reproduction and copy without written authorization of Italgrou S.r.l. is strictly forbidden.